

FIG. 1A

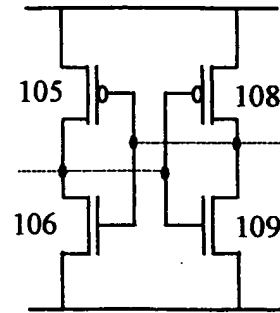


FIG. 1B

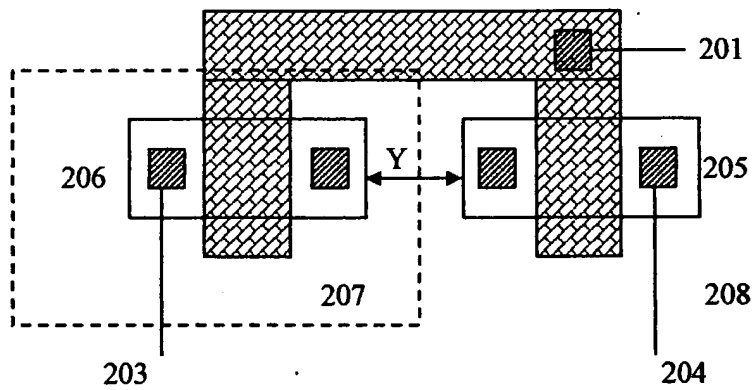


FIG-2A

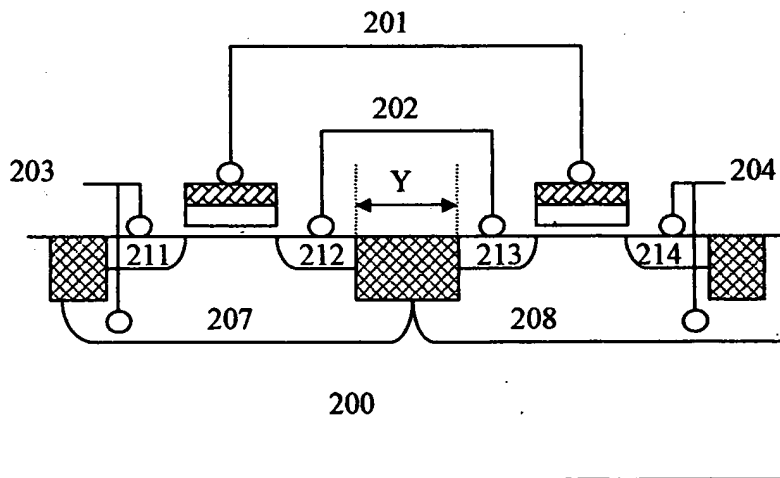


FIG-2B

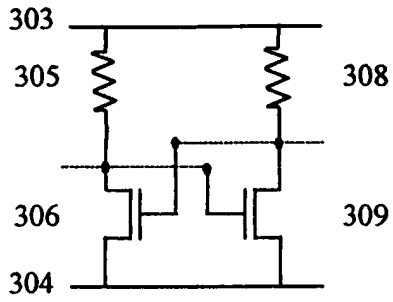


Fig. 3A

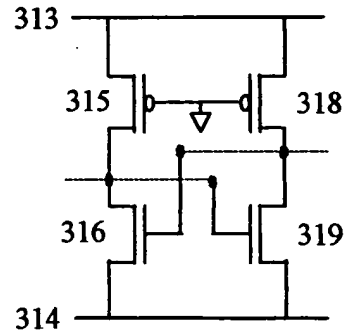


Fig. 3B

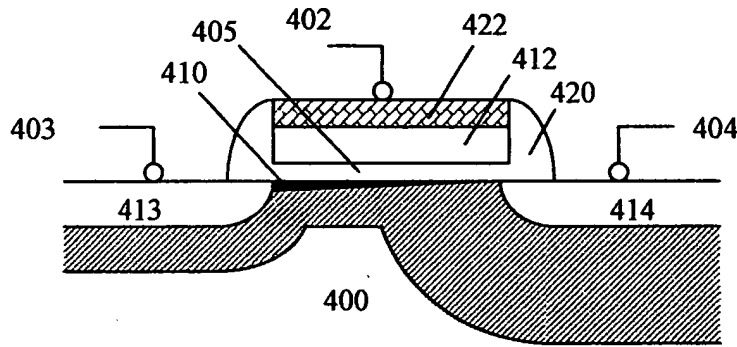


FIG-4

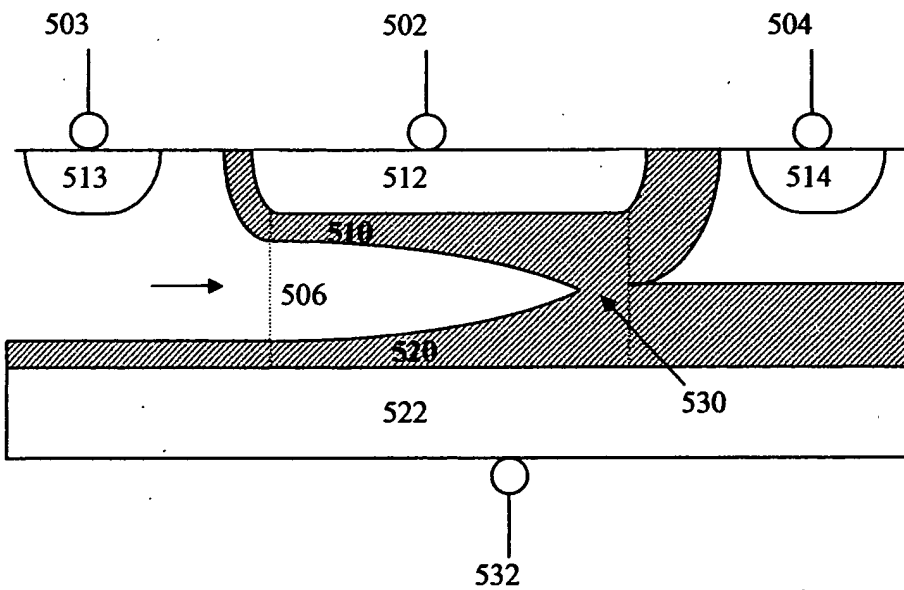


FIG-5

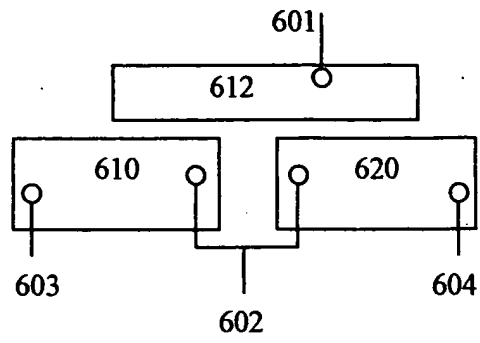


Fig-6A

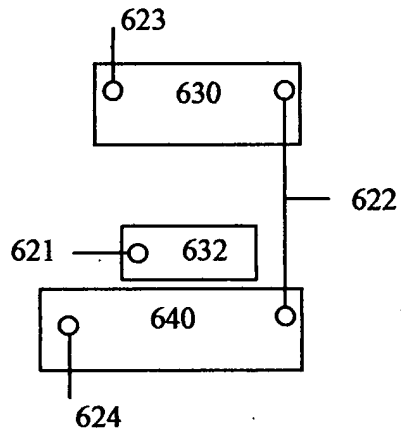


Fig-6B

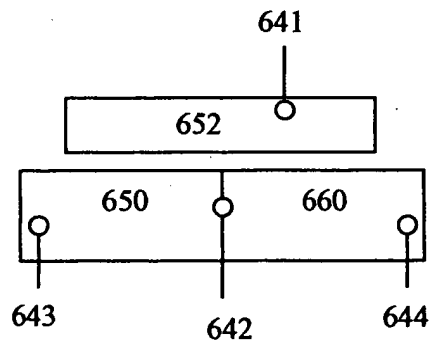


Fig-6C

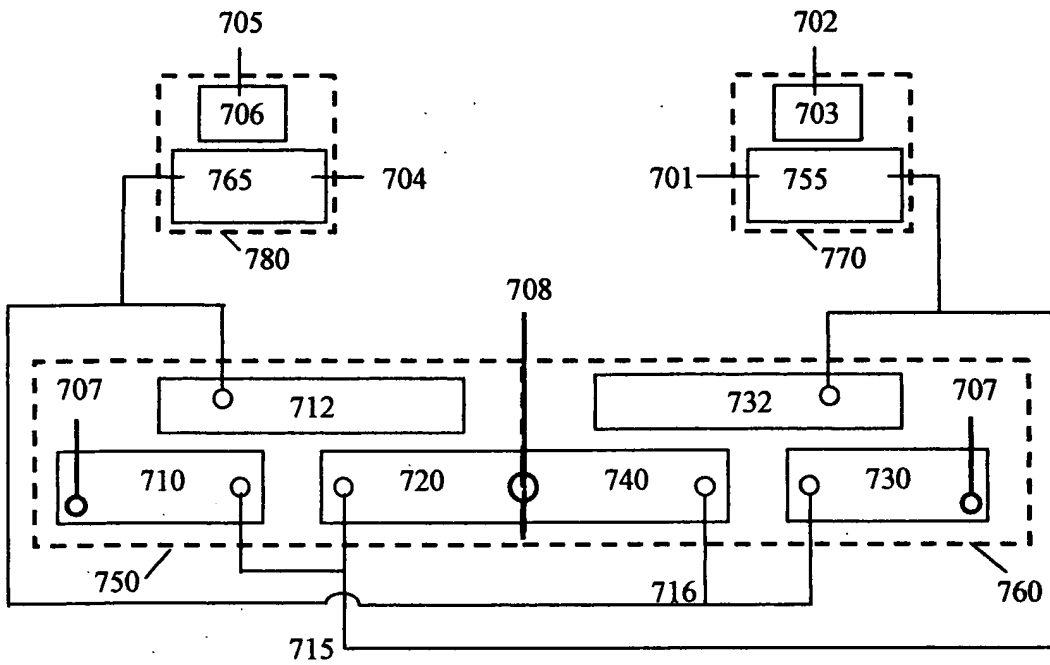


Fig-7

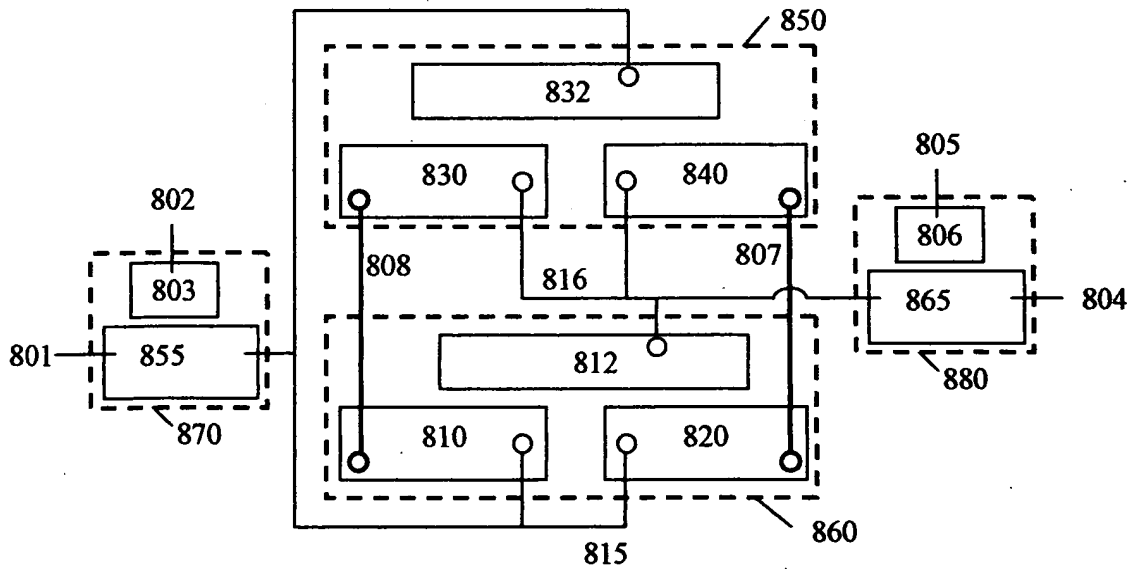


Fig-8

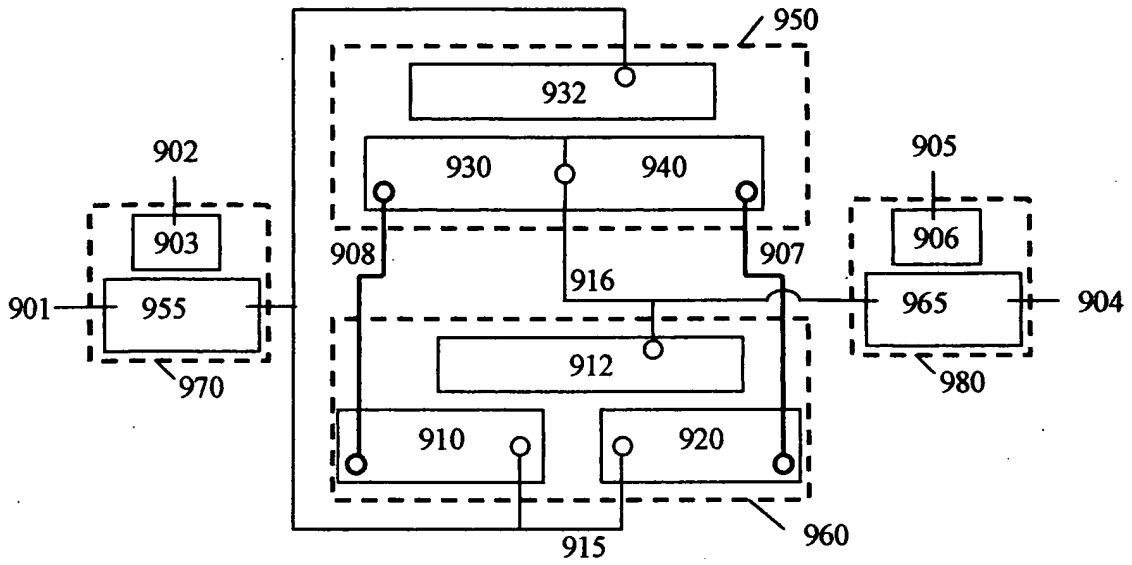


Fig-9

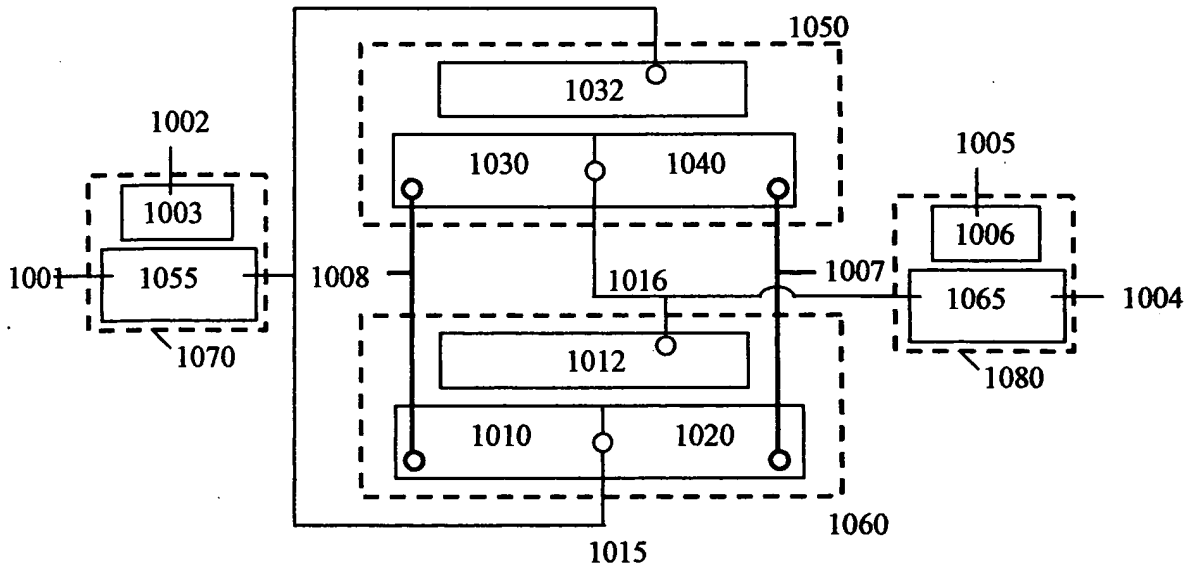


Fig-10

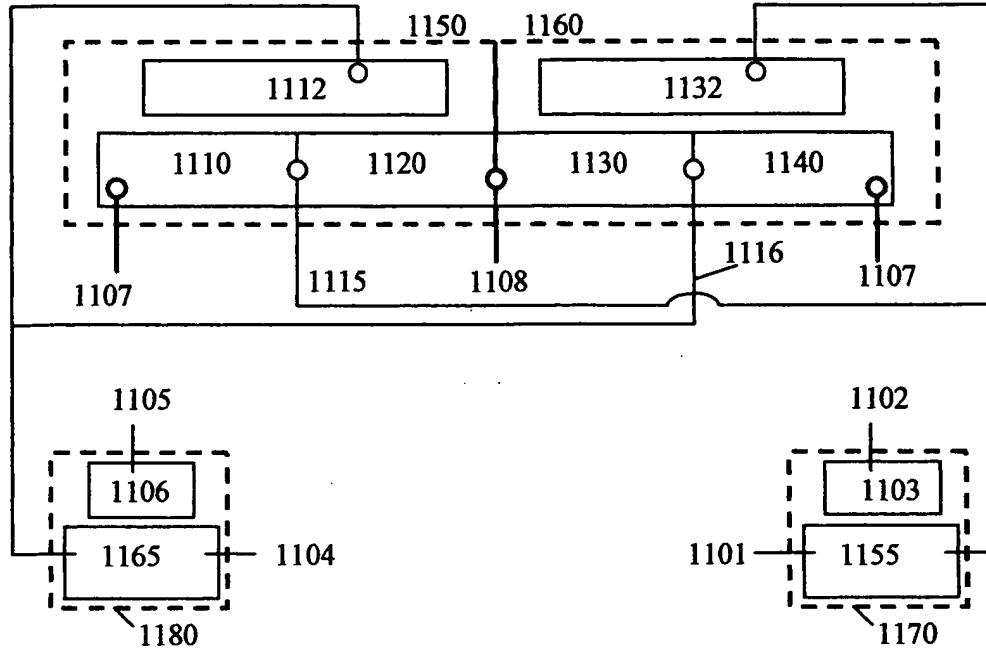


Fig-11

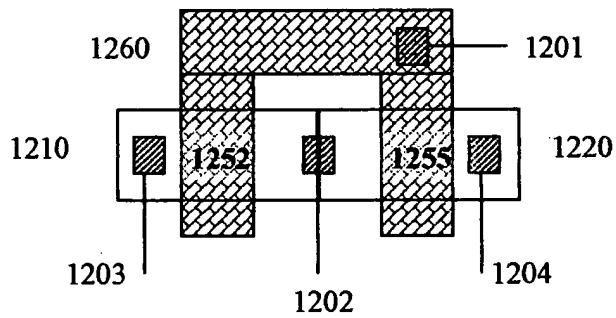


FIG-12A

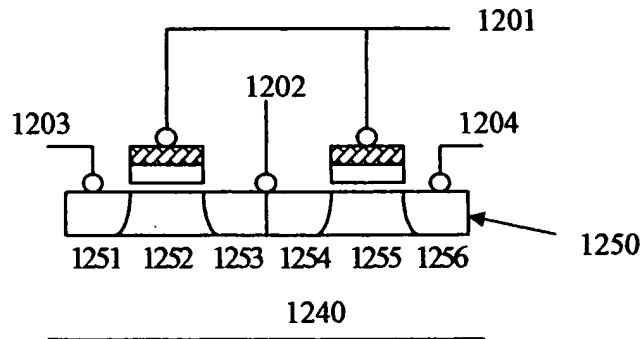


FIG-12B

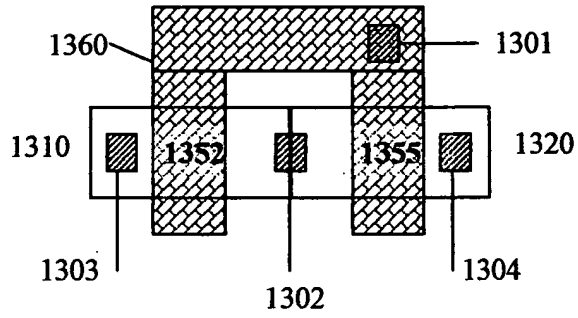


FIG-13A

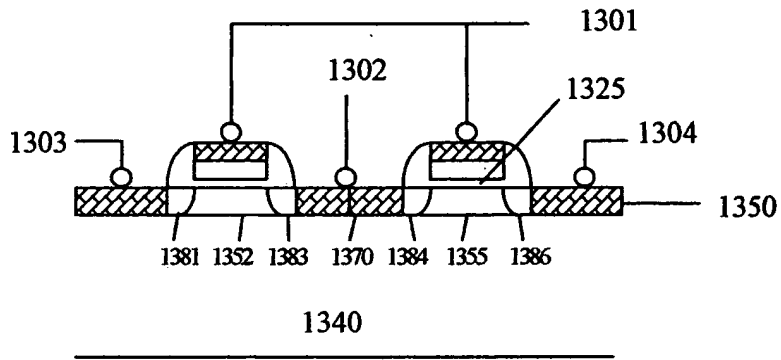


FIG-13B

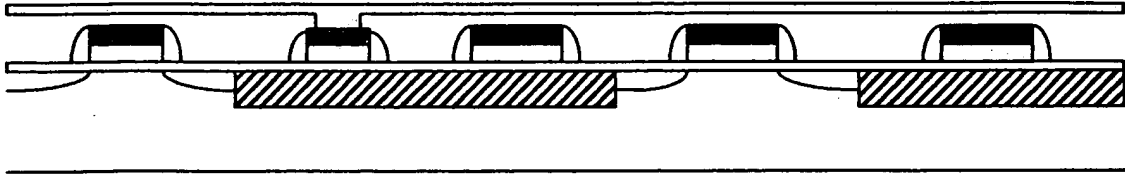


Fig - 14.1

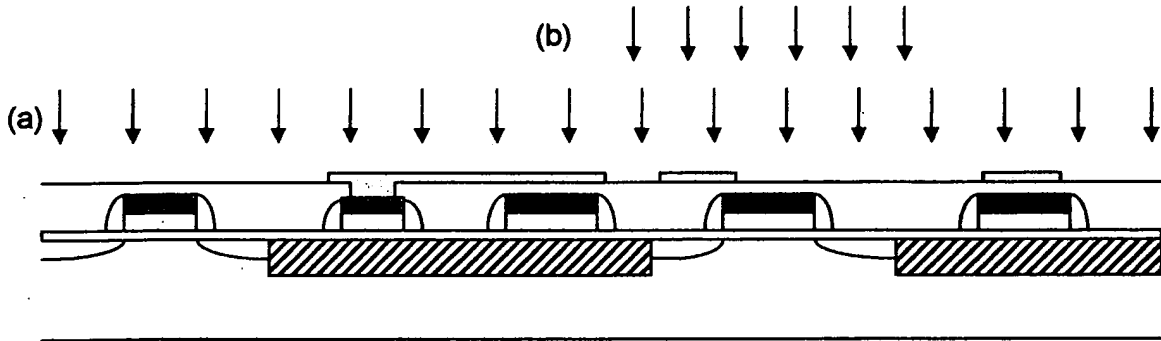


Fig - 14.2

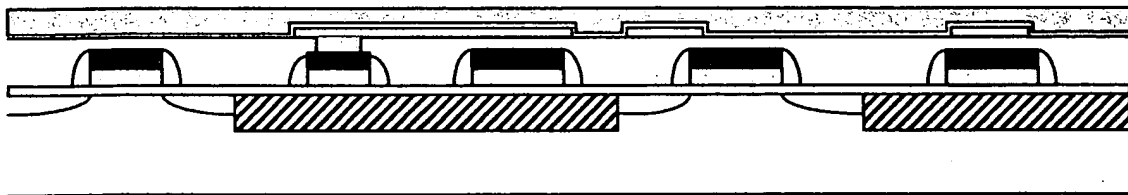


Fig - 14.3

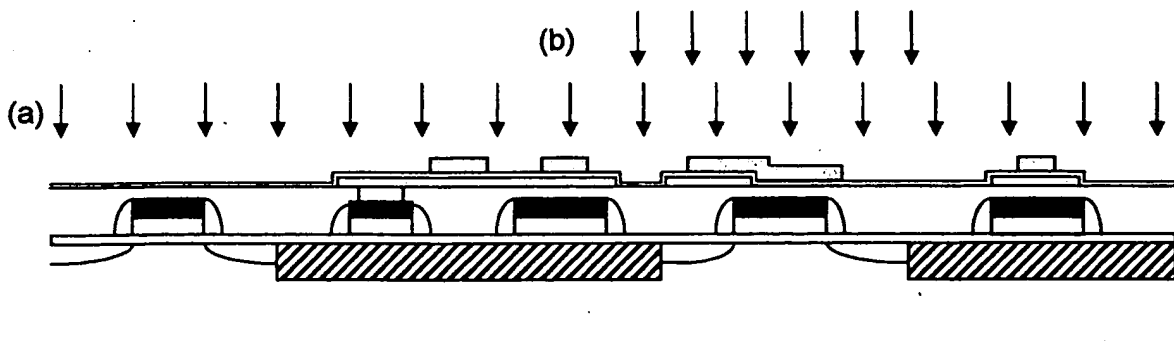


Fig - 14.4



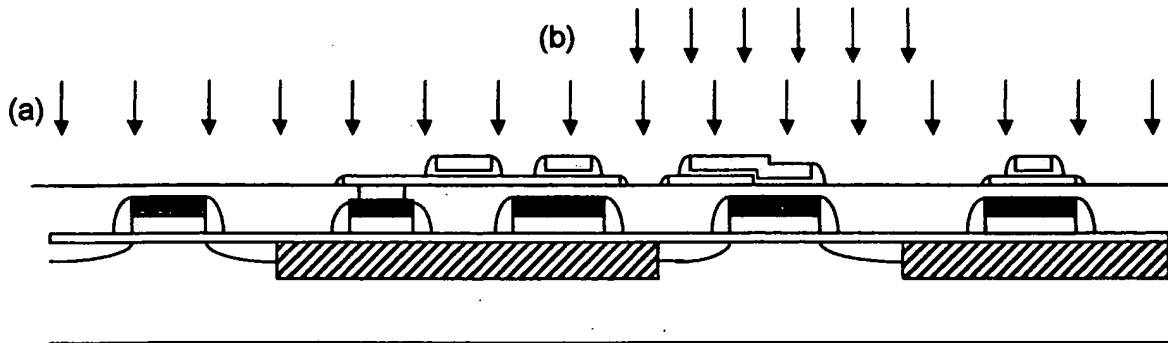


Fig - 14.5

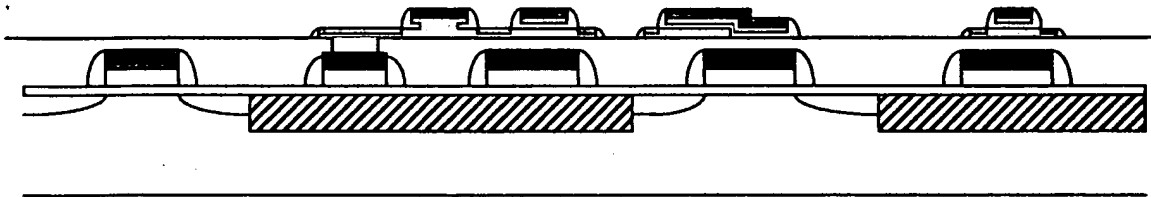


Fig - 14.6

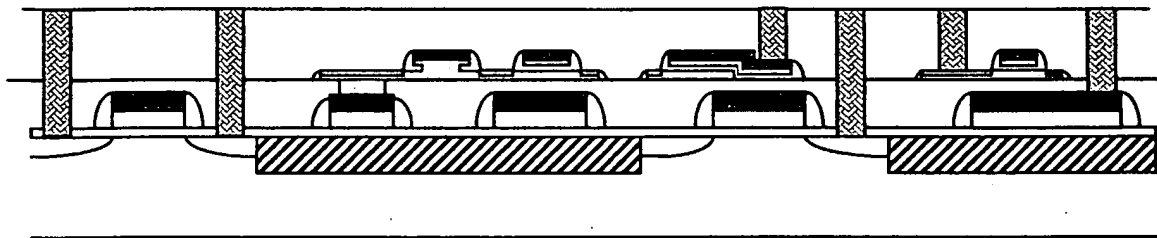


Fig - 14.7

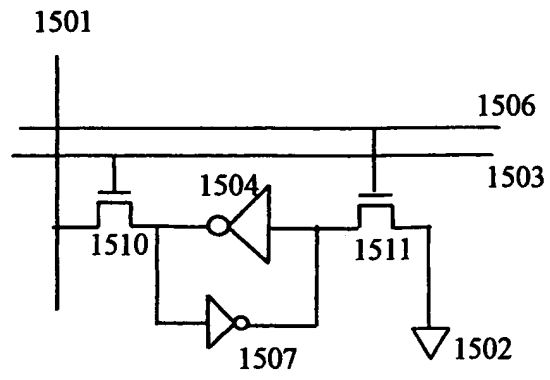


Fig.15A

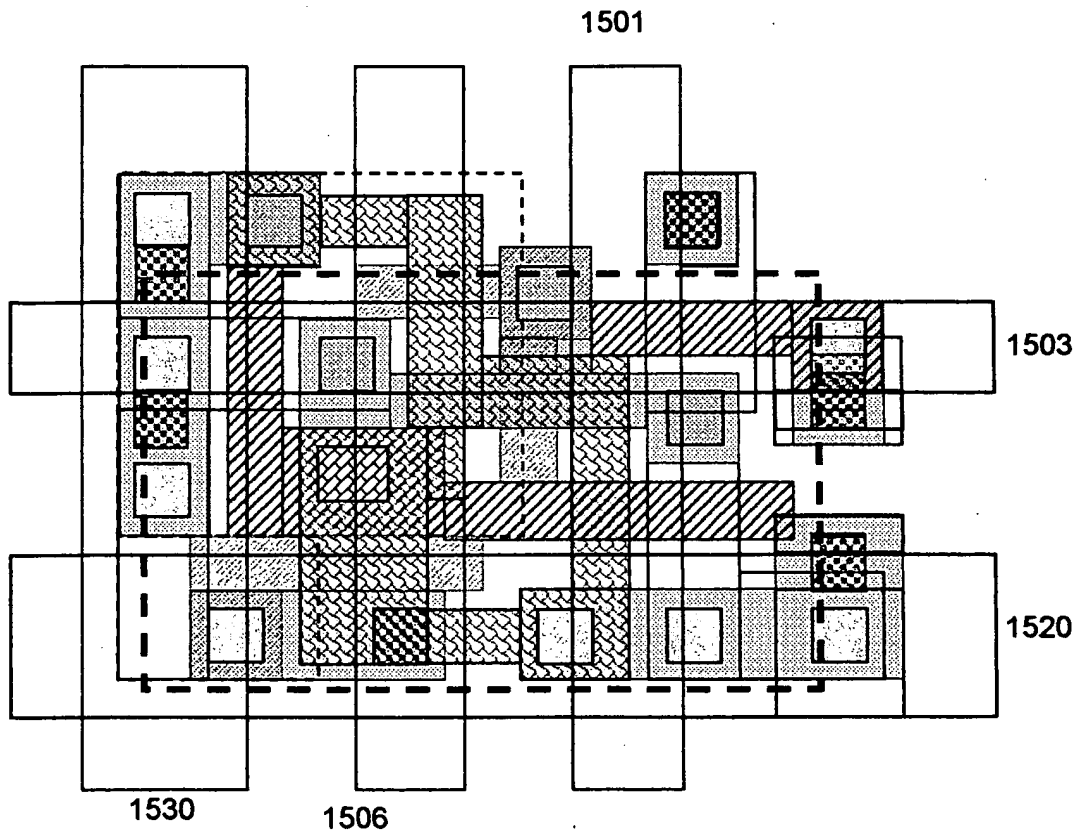


Fig-15B

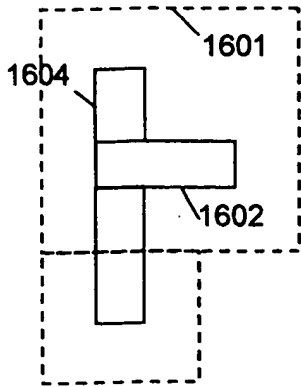


Fig - 16.1

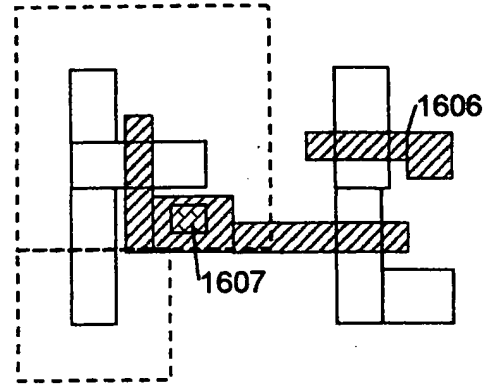
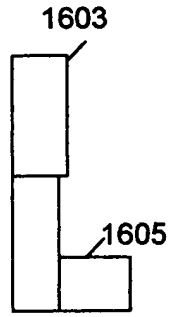


Fig - 16.2

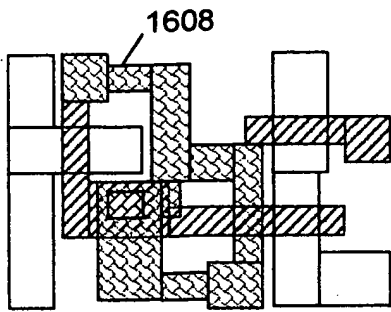


Fig - 16.3

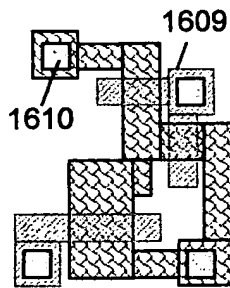


Fig - 16.4

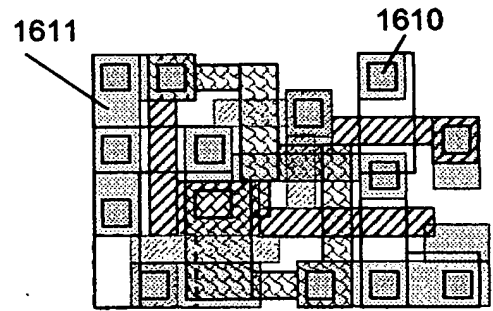


Fig - 16.5

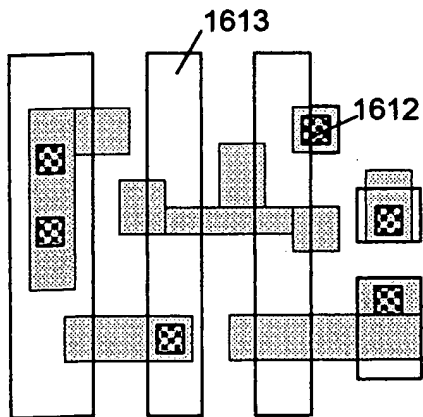


Fig - 16.6

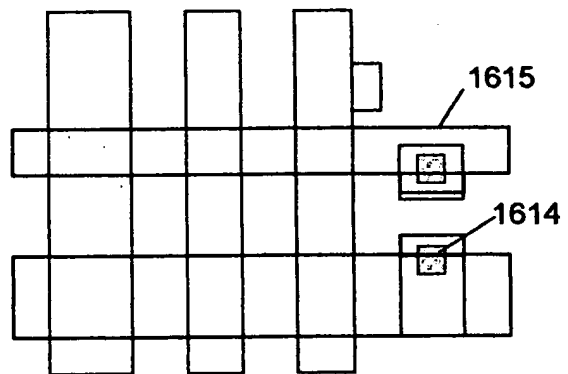


Fig - 16.7

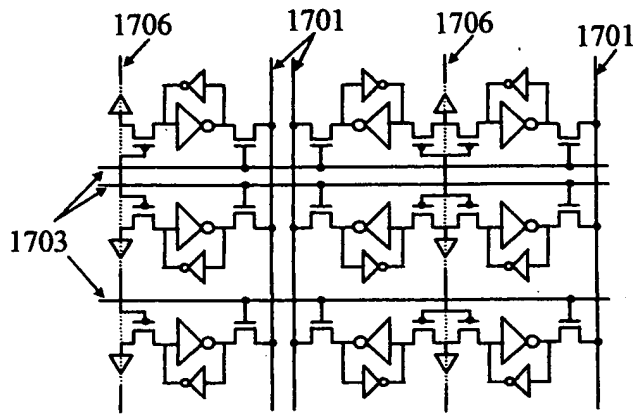


Fig.17A

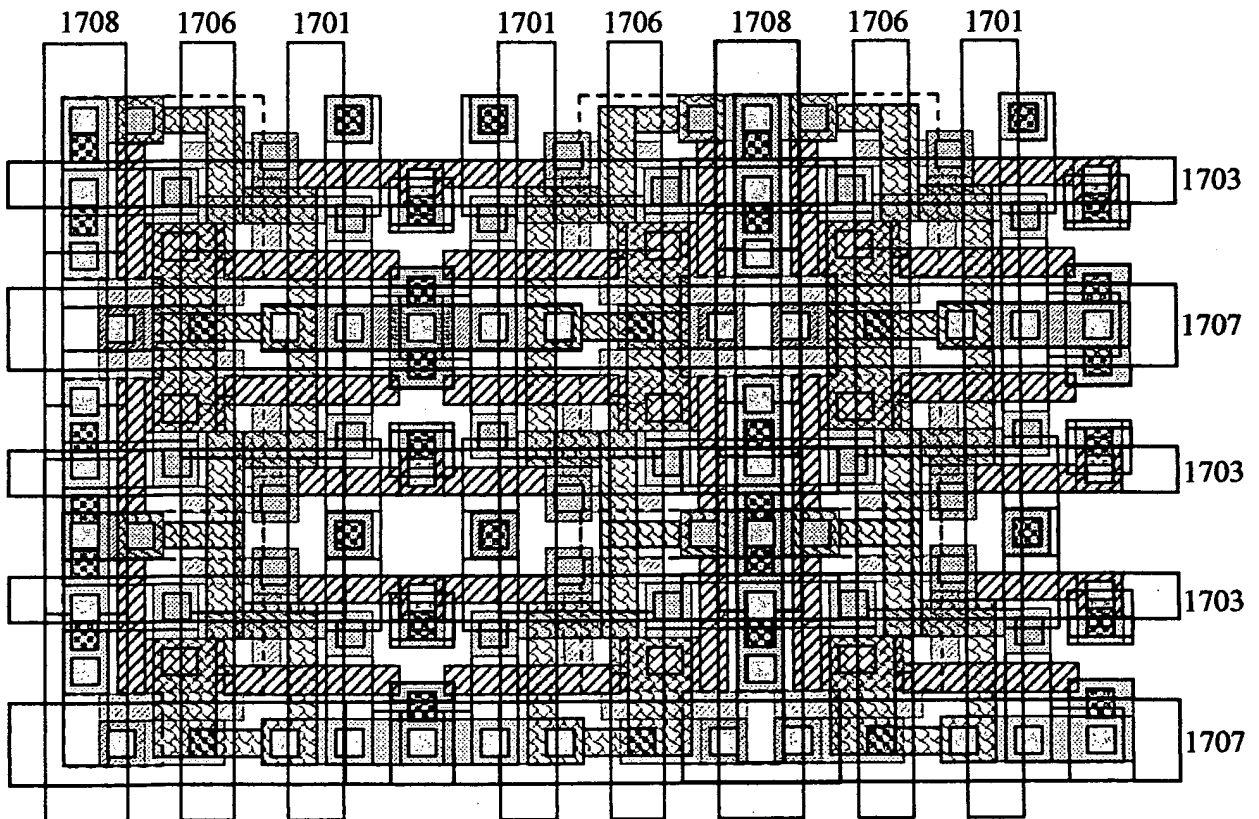


Fig-17B

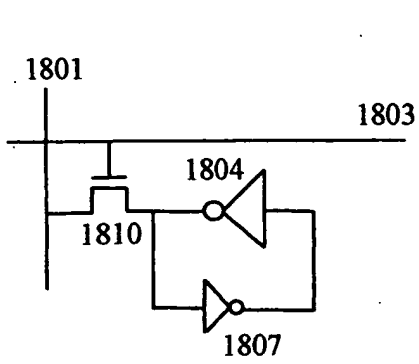


FIG-18A

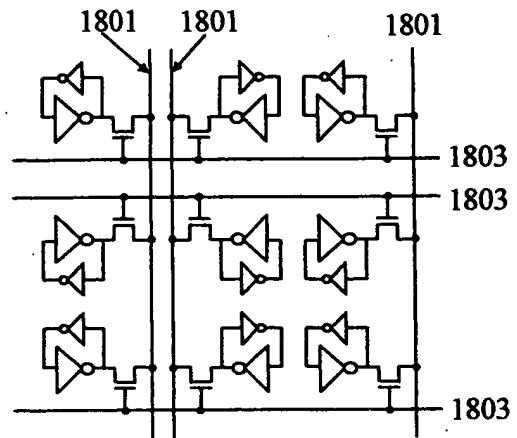


Fig.18B

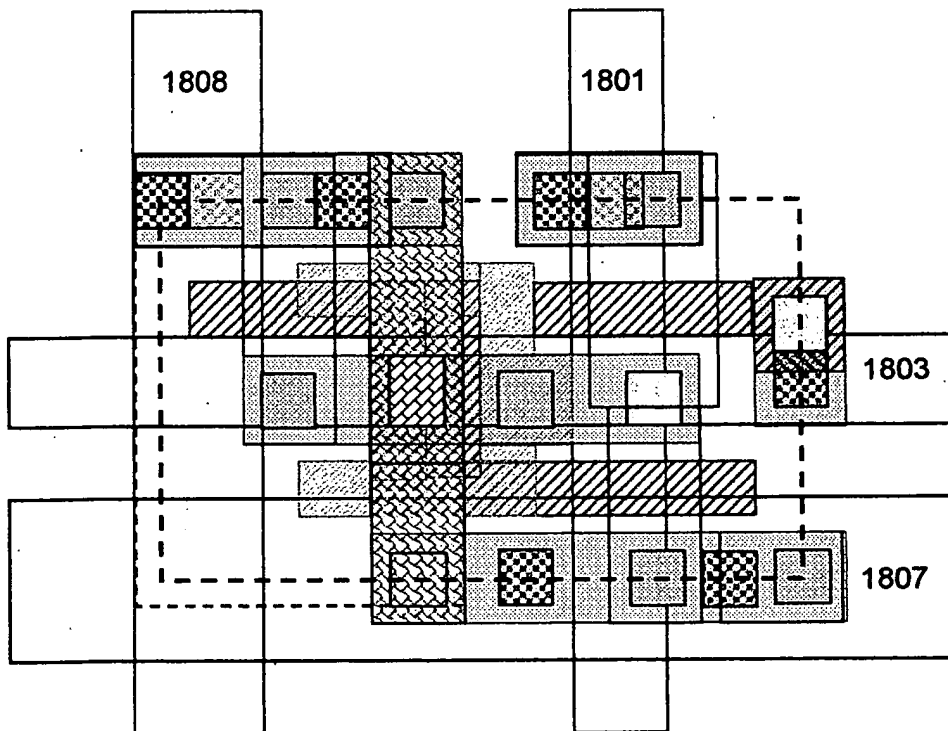


Fig-18C

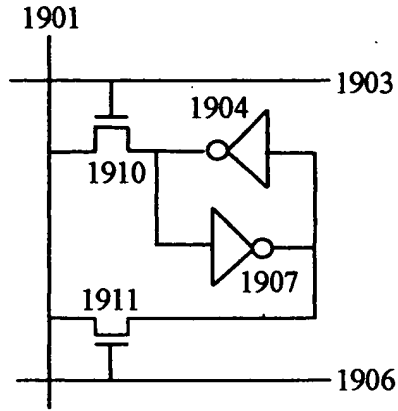


Fig.19A

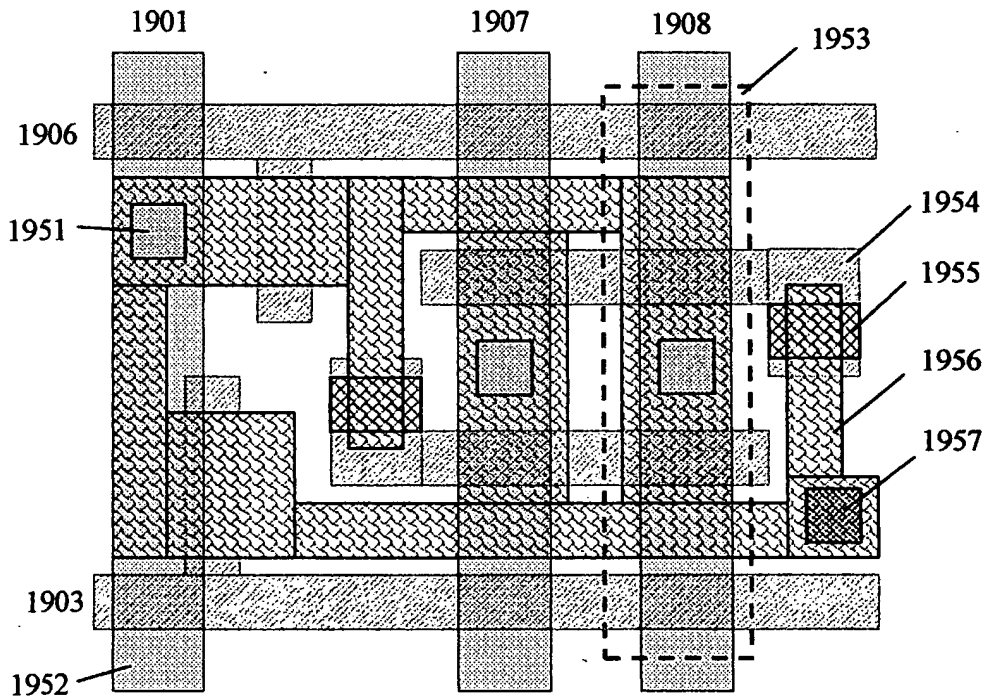


Fig-19B

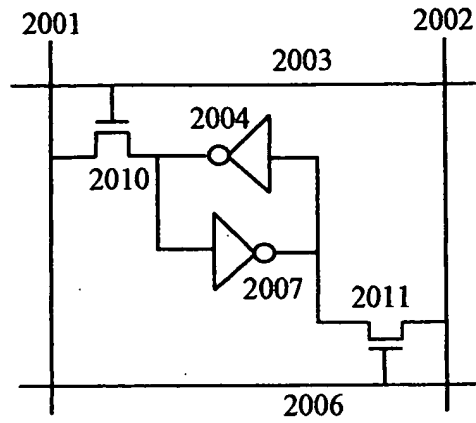


Fig.20A

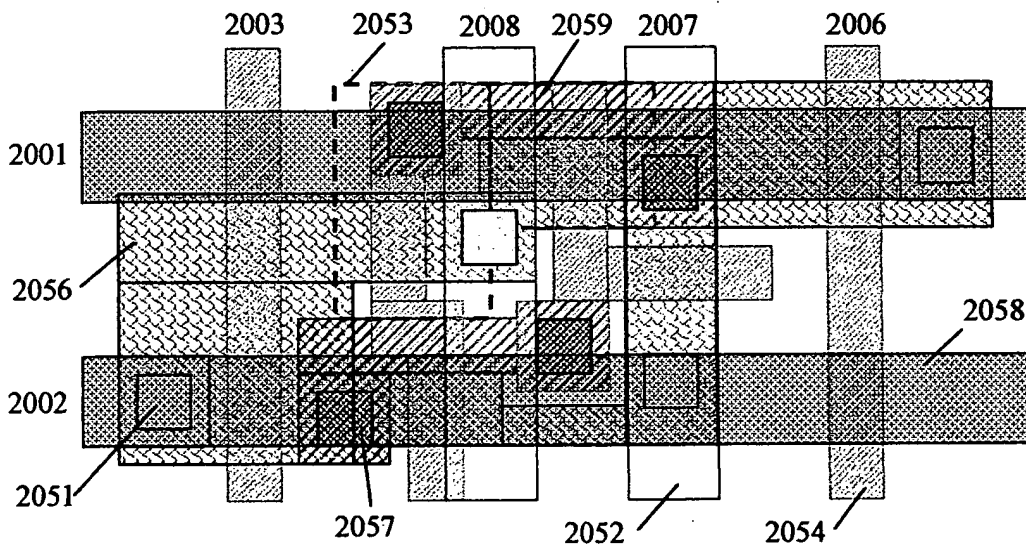


Fig-20B